



# 27" GRILL

Parts List

**MODEL:**  
BGA27-BQRN  
**PRODUCT CODE:**  
234285





## PRODUCT

**Brand** DCS  
**Voltage** 110V 60HZ  
**Model** BGA27-BQRN  
**Product Code** 234285

**Fisher & Paykel Appliances**  
5900 Skylab Road, Huntington Beach,  
CA 92647  
Customer Care: (888) 281-5698  
Fax: (714) 372-7003  
[www.dcsappliances.com](http://www.dcsappliances.com)  
[support@dcsappliances.com](mailto:support@dcsappliances.com)



## CONTENTS

GRILL BURNER COMPONENTS .....	6
GRILL BODY COMPONENTS .....	8
ROTISSERIE COMPONENTS.....	10
CART COMPONENTS.....	12

### GUIDE TO USING THIS MANUAL

The model covered by this manual is listed on the front cover.

The information detailed in this manual is subject to change without notice. The latest version is indicated by the reprint date and replaces any earlier editions.

The front cover picture shows the type of product and may not necessarily be an exact image of the model covered by the manual.

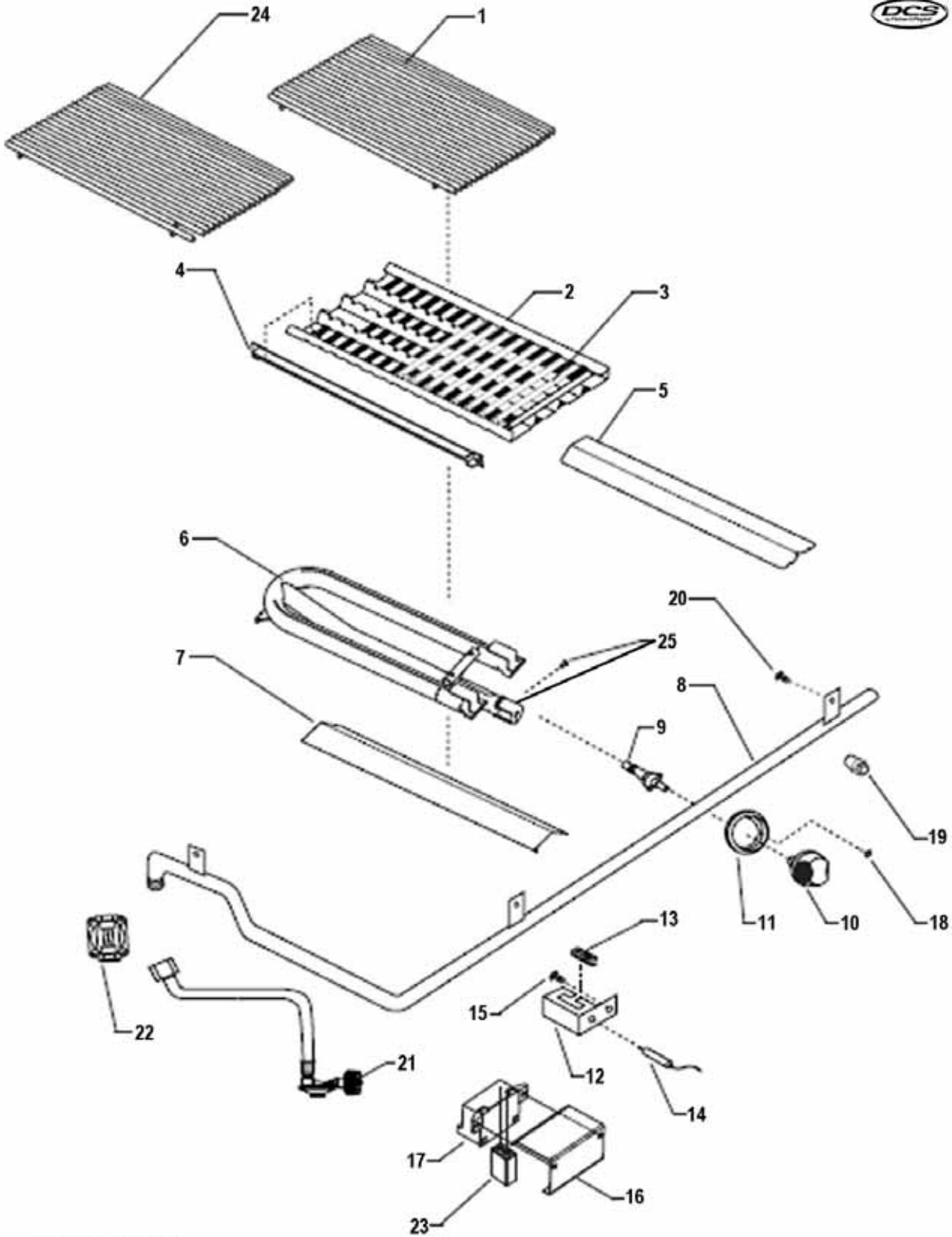
### Kit Parts

Kit components are shown in *italics*. Where a part number is shown against the descriptions for these kit components, they are also available as separate items. In addition, some parts may be supplied with these kits that are not available as separate items, and are therefore either not listed, or a part number is not shown against the part description in this manual.

### Parts List Key

<i>italics</i>	Kit components or parts included are shown in <i>italics</i> . Refer to above notes: Kit Parts.
NI	As a part reference, indicates the part is not illustrated on the diagram.
NOT USED	As a part number, indicates the diagram part reference is not used in this manual.

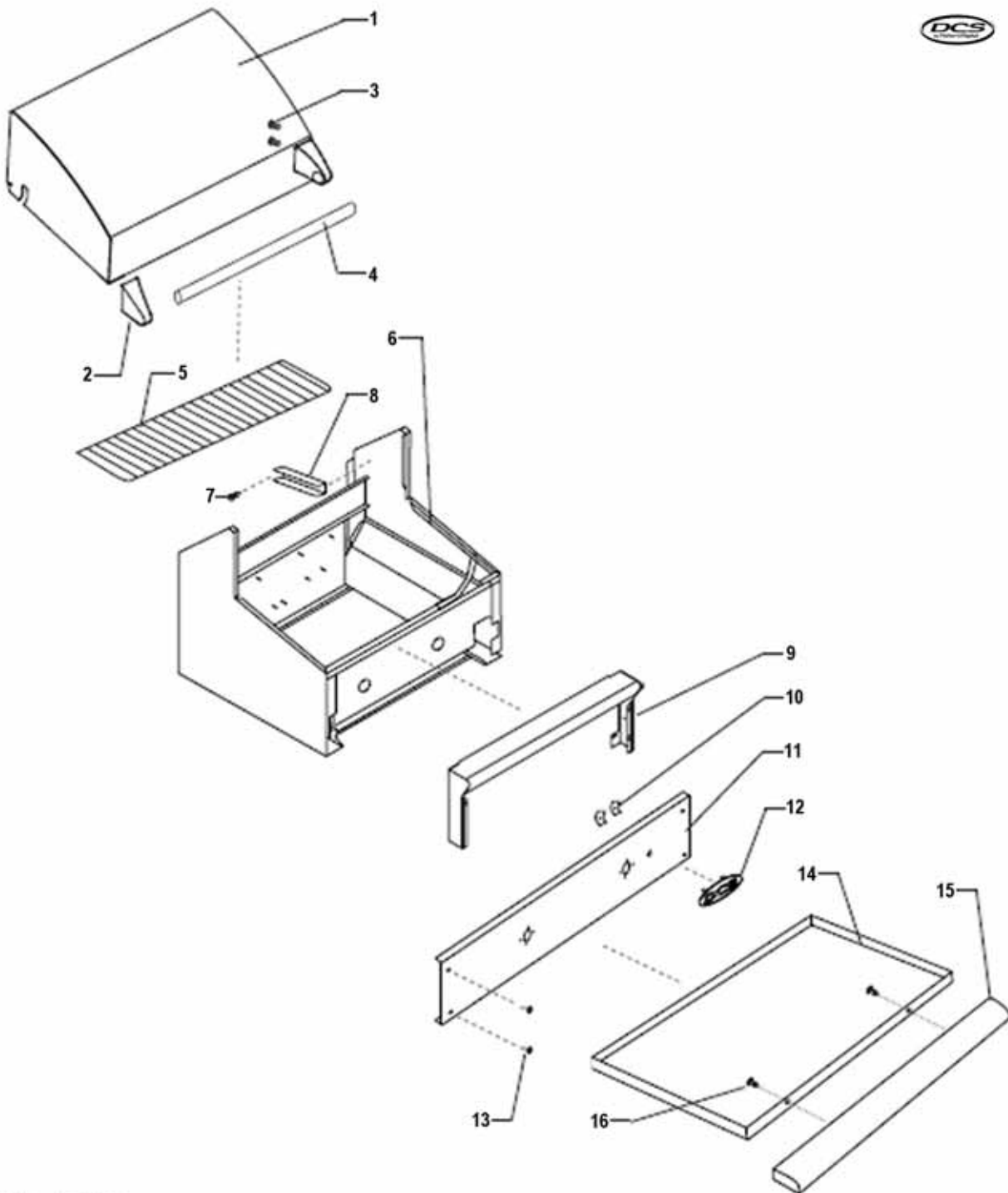
# GRILL BURNER COMPONENTS



**GRILL BURNER COMPONENTS**

<b>REF</b>	<b>PART</b>	<b>DESCRIPTION</b>
1	212917	GRILL RACK BGA27
2	213997	RADIANT, BGA
3	214006P	CERAMIC ROD 9.5 (PKD)
4	214046	END CAP RADIANT BGA
5	213999	HEAT SHIELD CENTER
6	213995	BURNER W/A
7	214151	HEAT SHIELD BURNER 27D
8	212157	MANIFOLD 27BBQ
9	210733	GAS ON/OFF VALVE O.D. B.B.Q
10	211188	KNOB BGB GRILLS
11	210935	BEZEL, CHROME PLATED
12	214293	COLLECTOR BOX BG
13	217535	WIRE COIL SERVICE ONLY
14	211717	ELECTRODE BURNER 14.5 LONG
	211718	ELECTRODE BURNER 29 LONG
15	211247	SM 6X3/8 PH PN HD TY A SS
16	213687	BRACKET IGN MODULE ELTEC 4
17	212333	BATTERY IGN MODULE 9V ELTEC 4
18	211248	SMS 6-32X3/8 PH PN TY F SS
19	212336	SWITCH IGNITER SNAP-ON
20	211227	MS 10-24X1/4 PH TR HD SS
21	210819P	90 DEG/HOSE ASSY QCC-1 PKD
22	210765P	REGULATOR - 4.0 WC PKD
23	212337	BATTERY ALKALINE 9V
24	212918	GRILL RACK BGA27
25	243880	AIR SHUTTER, SCREW TUBE BURNER
NI	211824	WIRE BK W/TERM 7 INCH

# GRILL BODY COMPONENTS



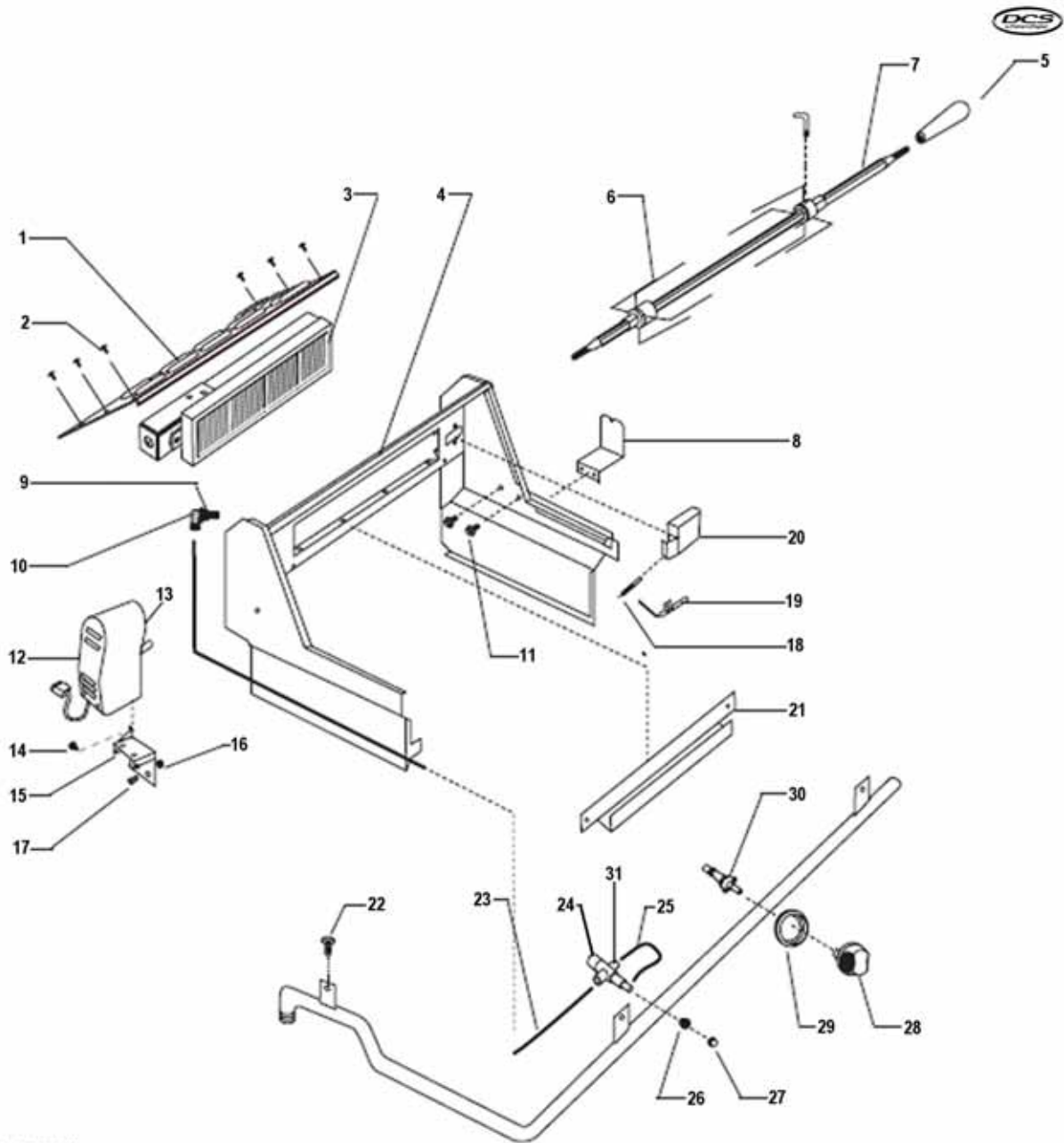
DWG000567 21 JULY 2006



**GRILL BODY COMPONENTS**

<b>REF</b>	<b>PART</b>	<b>DESCRIPTION</b>
1	214122	FOLDING LID W/A SS BGA27
2	212342	END CAP LID HANDLE R/H
	212343	END CAP LID HANDLE L/H
3	211328	HEX BLT 1/4-20X3/4 FULL TH SS
4	213787	HANDLE 36 BQA & 48 BQ
5	214119	WARMING RACK
6	214052	BODY W/A BGA27
7	211287P	MS 10-24X3/4 PH TR HD SS (10 PK)
8	214154	WARMING RACK RETAINER 27 L/H
	214155	WARMING RACK RETAINER 27 R/H
9	214562	LANDING LEDGE W/A
10	211410	NUT W/RET 8-32
11	214061	VALVE PANEL BGA27 BQR PTD
12	211997	LOGO, DCS, 3 1/8
13	211300P	SCREW 8-32X1 TORX FL HD (10 PK)
14	214043	DRIP PAN 27D-BQ
15	213777	DRIP PAN HANDLE W/A 27 BQ
16	237354	MS10-24X3/8 PH TR HD SS (10 PK)
NI	211352P	NUT HEX 10-24 SS (10-PACK)

# ROTISSERIE COMPONENTS

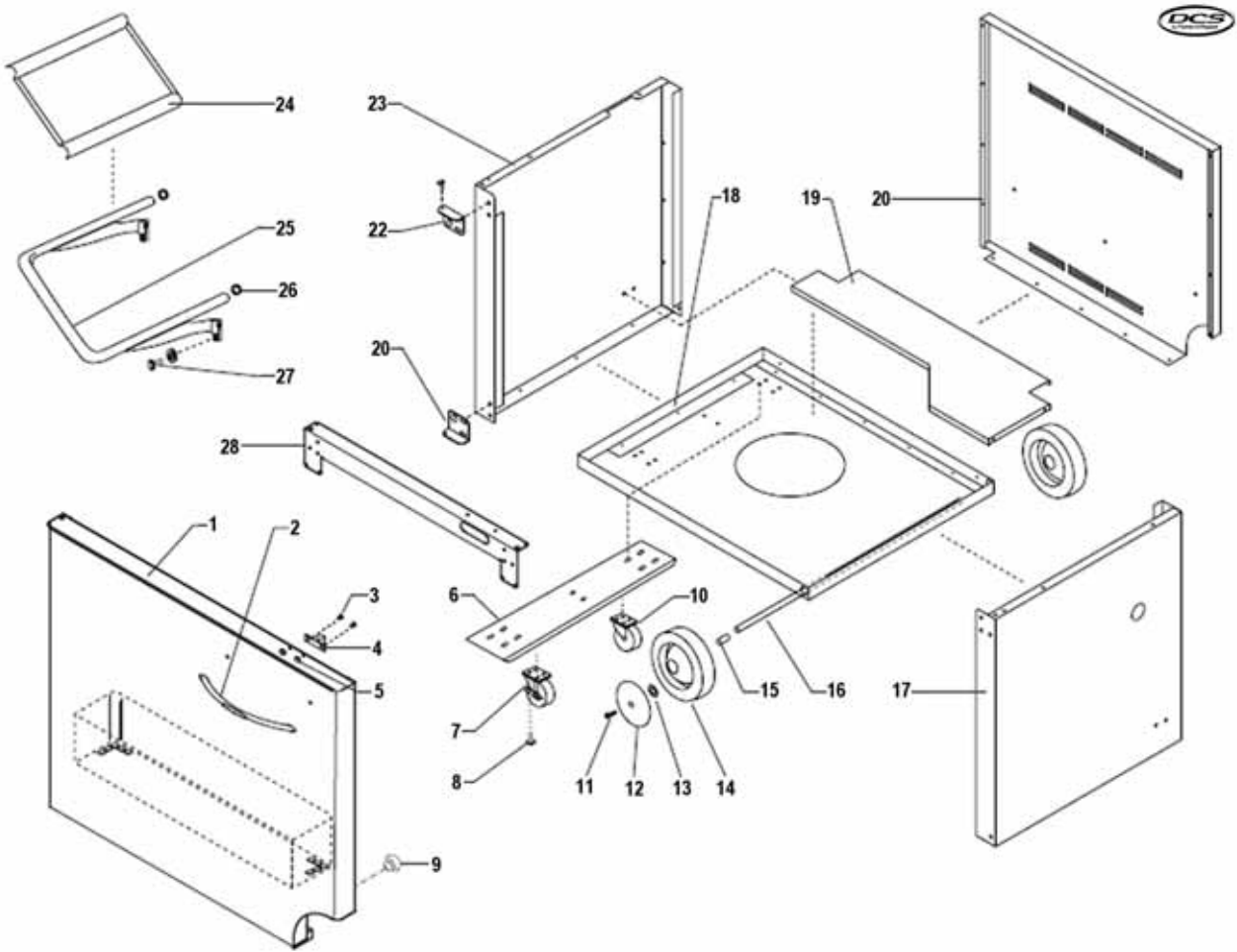


DWG000000 21 JULY 2008

## ROTISSERIE COMPONENTS

REF	PART	DESCRIPTION
1	214049	SERVICE PANEL UPPER
2	211242P	MS 10-24X1/2 PHPN TY F SS (10 PK)
3	210357	I/R BURNER-27/48BBQ
4	214042	I/R PANEL 27D BQR
5	212163	HANDLE - ROTIS ROD
6	212418	MEAT HOLDER ASSY 99
7	212465	ROTIS ROD 27BQ
8	214076	ROTIS RECEIVING BRACKET
9	210693P	ORIFICE - ROTIS (LP) #57 (PKD)
	210686P	ORIFICE #50 ROTIS NAT (PKD)
10	212139P	ELBOW 3/8-27-9/16-24 (PKD)
11	211242P	MS 10-24X1/2 PHPN TY F SS (10 PK)
12	214575	MOTOR ASSY BGA L/H
13	211686	BULB-GE-50 PAR20
14	211463	1/4-20X3/4 THUMB SCREW SS
15	214332	BRACKET MOTOR ROTIS W/A
16	211398P	NUT HEX 1/4-20 KEPS SS (10 PK)
17	211487	1/4-20X1/2 SS CARRIAGE BOLT
18	210721	THERMOCOUPLE 2C ROBERTSHAW 72
19	211723	ELECTRODE I/R 67.5 LONG
20	213784	ELECTRODE HOUSING W/A L/H
	213785	ELECTRODE HOUSING W/A R/H
21	214091	FLAVOR TRAY 27D-BQR
22	211328	HEX BLT 1/4-20X3/4 FULL TH SS
23	213621	TUBING SAFETY VALVE TO I/R 27D
24	212199	SAFETY VALVE
25	213619	TUBING MAN.TO SAFETY VALVE 27
26	211050	BEZEL SAFETY VALVE
27	211001	BUTTON SAFETY VALVE
28	211188	KNOB BGB GRILLS
29	210935	BEZEL, CHROME PLATED
30	210733	GAS ON/OFF VALVE O.D. B.B.Q
31	212189P	FERRULE 3/8 T.O.D. (PKD)

# CART COMPONENTS



DWG000669 21 JULY 2006

**CART COMPONENTS**

<b>REF</b>	<b>PART</b>	<b>DESCRIPTION</b>
1	214566	DOOR PANEL BGA27 CART
2	212279	SIRO HANDLE DCS (44-150)
3	211303P	8-32X5/8 SS TORX FL HD (10 PK)
4	211098	DRAWER CATCH (M22 2430)
5	211480	NUT 8-32 KEPS SS
6	214545	CASTER STIFFENER 27F CSS
7	212146	CASTER LOCKING 3
8	211290P	MS10-24X1/2 PH TRHDSS (10 PK)
9	212359	RUBBER BUMPER
10	212147	CASTER W/O BRAKE 3
11	211303P	8-32X5/8 SS TORX FL HD (10 PK)
12	214478	HUB CAP SPINNING
13	212308	PUSH ON NUT #500016 SOH
14	212198	WHEEL 6
15	214550	AXLE SPACER BGA27 CART
16	214548	AXLE BGA27 CART
17	214543	SIDE PANEL, R/H
18	225011	BOTTOM PANEL BGA27 CART
19	225012	TANK RETAINER 27 F CSS
20	214536	BACK PANEL 27F CSS
21	214564	HINGE BOTTOM W/A L/H BGA CART
22	214568	HINGE TOP W/A L/H BGA
23	214542	SIDE PANEL, L/H
24	214466	SIDE SHELF TRAY
25	212287	SIDE SHELF BAR
26	211099	BLACK PLUGS
27	211323P	HEX 1/4-20X1/2 FUL TH SS (10 PK)
28	225046	HEADER BGA27 CART W/A