

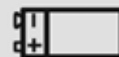


# THE PROFESSIONAL 30" BGB GRILL

## Parts List



**MODEL:**  
BGB30-BQRN  
**PRODUCT CODE:**  
70004-A





## PRODUCT

**Brand** DCS  
**Voltage** 110V 60HZ  
**Model** BGB30-BQRN  
**Product Code** 70004-A

**Fisher & Paykel Appliances**  
5900 Skylab Road, Huntington Beach,  
CA 92647  
Customer Care: (888) 281-5698  
Fax: (714) 372-7003  
[www.dcsappliances.com](http://www.dcsappliances.com)  
[support@dcsappliances.com](mailto:support@dcsappliances.com)



## CONTENTS

GRILL BODY COMPONENTS .....	6
GRILL BURNER COMPONENTS .....	8
ROTISSERIE COMPONENTS .....	10
CART COMPONENTS .....	12

### GUIDE TO USING THIS MANUAL

The model covered by this manual is listed on the front cover.

The information detailed in this manual is subject to change without notice. The latest version is indicated by the reprint date and replaces any earlier editions.

The front cover picture shows the type of product and may not necessarily be an exact image of the model covered by the manual.

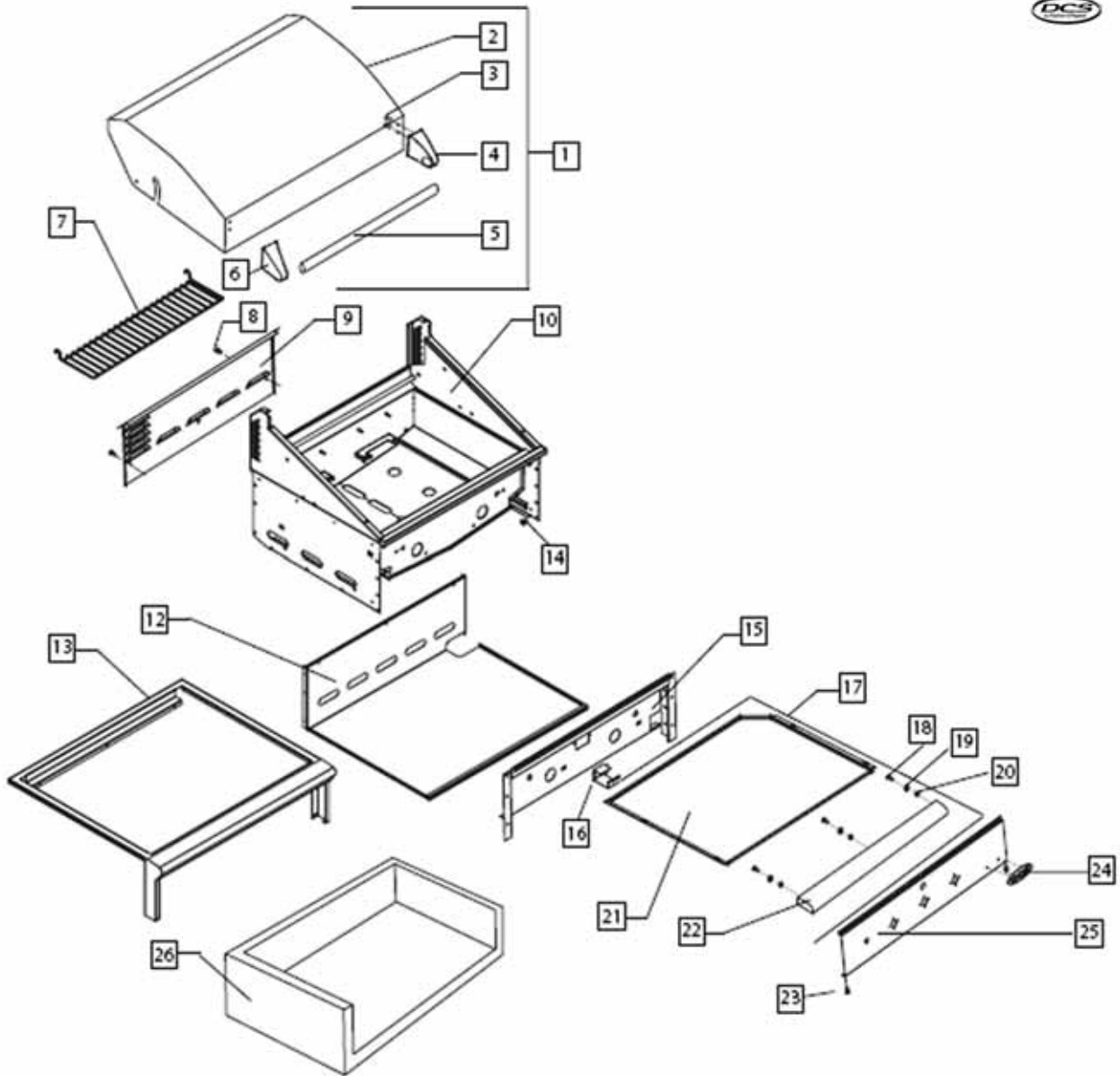
### Kit Parts

Kit components are shown in *italics*. Where a part number is shown against the descriptions for these kit components, they are also available as separate items. In addition, some parts may be supplied with these kits that are not available as separate items, and are therefore either not listed, or a part number is not shown against the part description in this manual.

### Parts List Key

<i>italics</i>	Kit components or parts included are shown in <i>italics</i> . Refer to above notes: Kit Parts.
NI	As a part reference, indicates the part is not illustrated on the diagram.
NOT USED	As a part number, indicates the diagram part reference is not used in this manual.

# GRILL BODY COMPONENTS

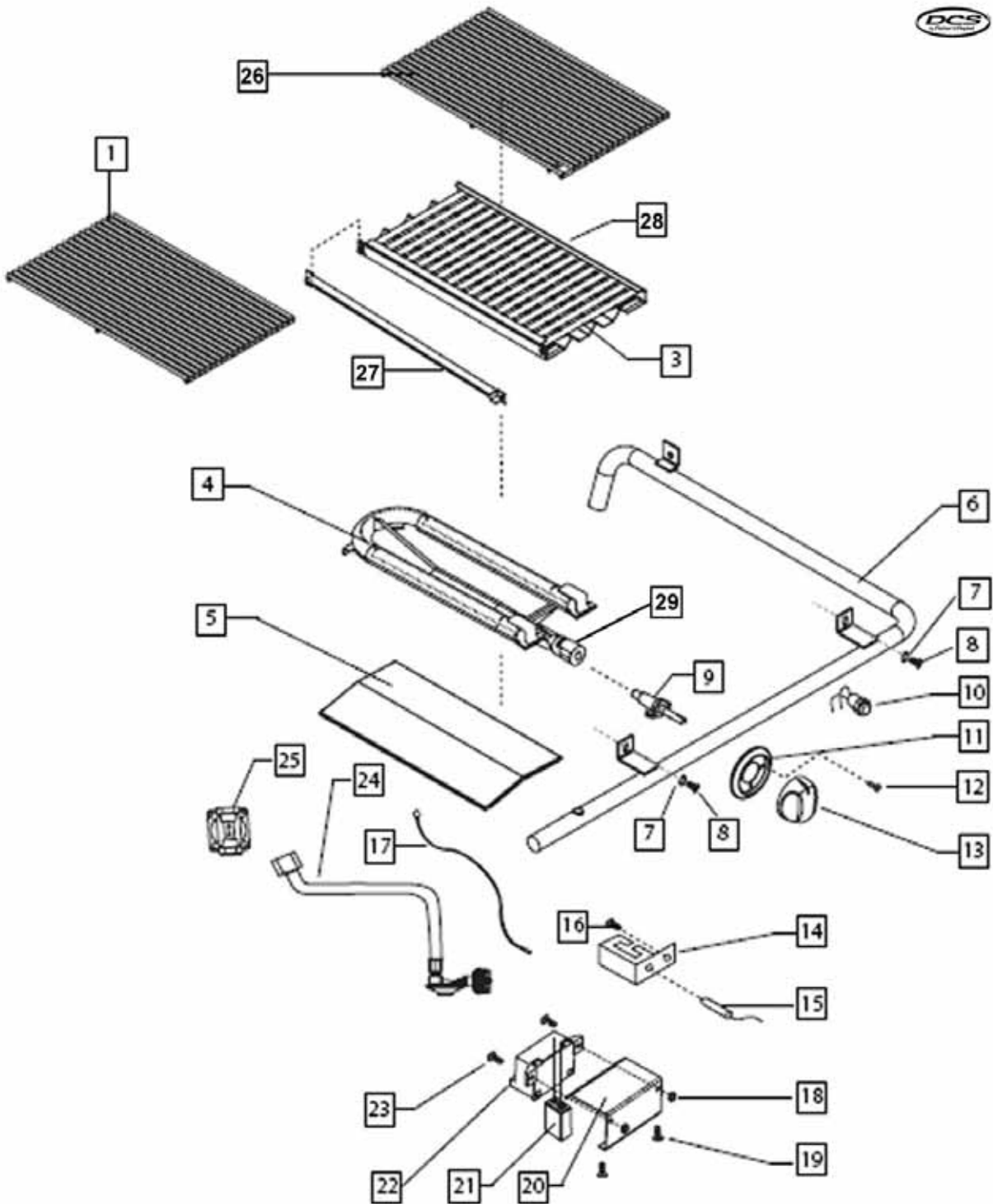


DWG000615 5 JULY 2006

**GRILL BODY COMPONENTS**

<b>REF</b>	<b>PART</b>	<b>DESCRIPTION</b>
1	224813	LID ASSY BGB30
2	214416	LID W/A BGB30
3	211323P	HEX 1/4-20X1/2 FUL TH SS (10 PK)
4	212342	END CAP LID HANDLE R/H
5	215066	TUBE 30 OVEN DOOR
6	212343	END CAP LID HANDLE L/H
7	212927	WARMING RACK BGB30
8	211254	SMS 10-32x5/16 PAN PHIL TY F
9	224780	SERVICE PANEL BGB30
10	214423	FIRE BOX W/A BGB30
12	224776	BOTTOM BURNER BOX BGB30
13	224775	LANDING LEDGE W/A BGB30
14	211090	RACK ROLLER VERTICAL
15	214410	FRONT BAFFLE BGB30
16	224664	SAFETY VALVE BOX BGA
17	224758	DRIP PAN ASSY BGB30
18	237354	MS10-24X3/8 PH TR HD SS (10 PK)
19	218150	NUT HEX 10-24 KEPS SS (10 PK)
20	211352P	NUT HEX 10-24 SS (10 PK)
21	214412	DRIP PAN BGB30
22	214411	DRIP PAN HANDLE BGB30
23	218132	MS10-24X1/2 PH TR TY23 SS (10 PK)
24	211997	LOGO, DCS, 3 1/8
25	214409	VALVE PANEL BGB30 PTD
26	70181	INSULATED JACKET BGB30
NI	211441	BLT SHLDR .375X1.25X5/16-1
NI	211387	ACORN NUT 5/16-18 DEFLECTED
NI	223810	SPACER LID 36/48 BQ

# GRILL BURNER COMPONENTS

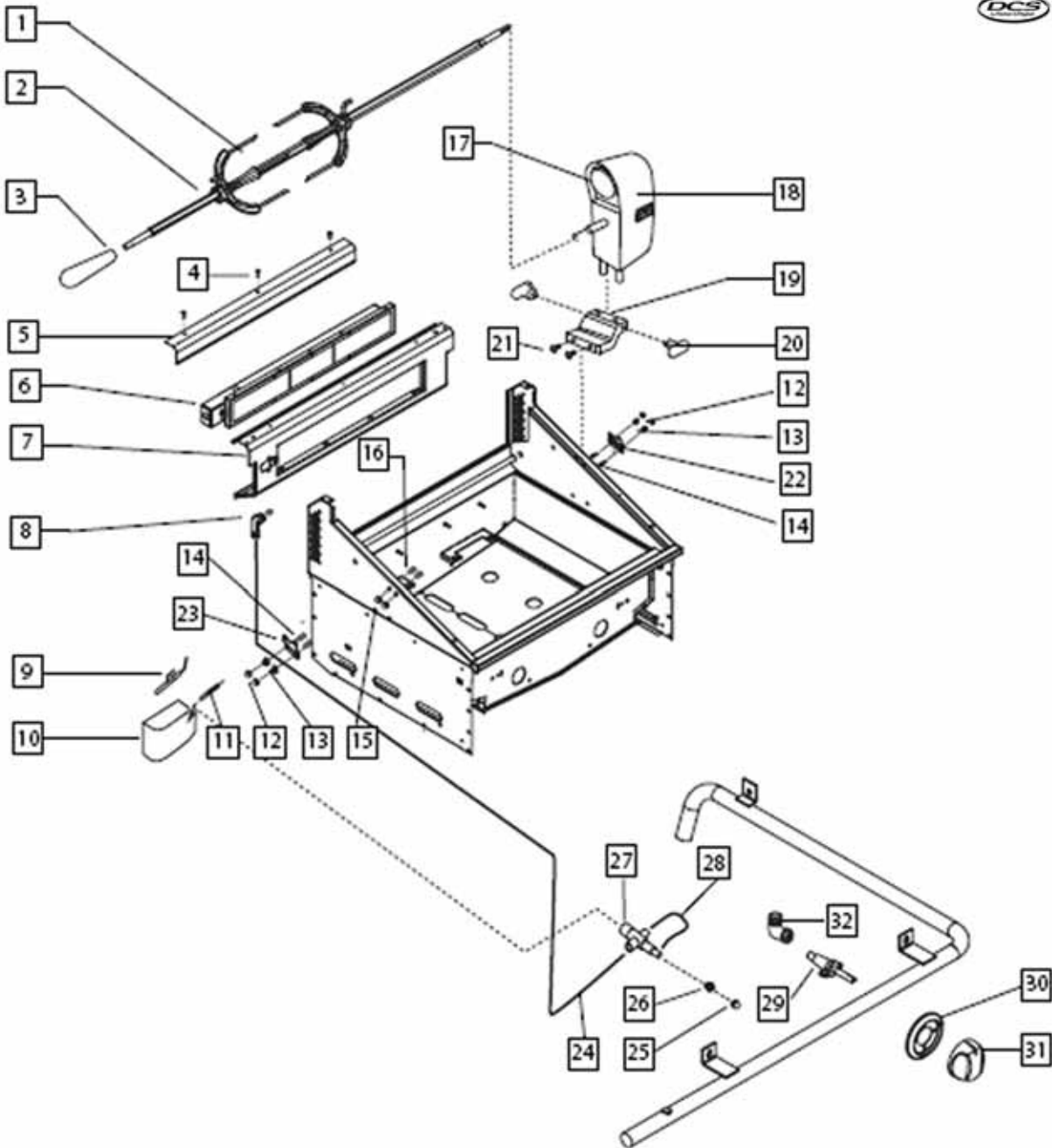




## GRILL BURNER COMPONENTS

REF	PART	DESCRIPTION
1	212925	RACK GRILL BGB30
3	214006P	CERAMIC ROD 9.5 (PKD)
4	210617	U BURNER EDV GRILLS
5	214569	HEAT SHIELD FIRE BOX
6	214402	MANIFOLD ASSY BGB30 LP
	214403	MANIFOLD ASSY BGB30 NAT
7	211368P	WASHER FLT SS .250X.750 (10 PK)
8	211328	HEX BLT 1/4-20X3/4 FULL TH SS
9	220574	GAS VALVE BBQ
10	212336	SWITCH IGNITER SNAP-ON
11	210935	BEZEL, CHROME PLATED
12	211248	SMS 6-32X3/8 PH PN TY F SS
13	240431	KNOB OUTDOOR SATIN
14	214293	COLLECTOR BOX BG
15	211717	ELECTRODE BURNER 14.5 LONG
	211718	ELECTRODE BURNER 29 LONG
16	218132	MS 10-24X1/2 PH TR TY23 SS (10 PK)
17	221921	HARNESS KIT BGB30
18	211480	NUT 8-32 KEPS SS
19	211236	SM 10X3/8 PH TR HD TY AB NI
20	214417	ENCLOSURE IGNITER MOD ELT BGA
21	212337	BATTERY ALKALINE 9V
22	212333	BATTERY IGN MODULE 9V ELTEC 4
23	211295	MS 8-32X1/2 PH TR HD SS
24	210819P	90 DEG/HOSE ASSY QCC-1 PKD
25	210765P	REGULATOR - 4.0 WC PKD
26	212926	RACK GRILL BGB30
27	214420	LOCK RADIANT BGB30
28	214419	HOUSING RADIANT BGB30
29	243880	AIR SHUTTER, SCREW TUBE BURNER

# ROTISSERIE COMPONENTS



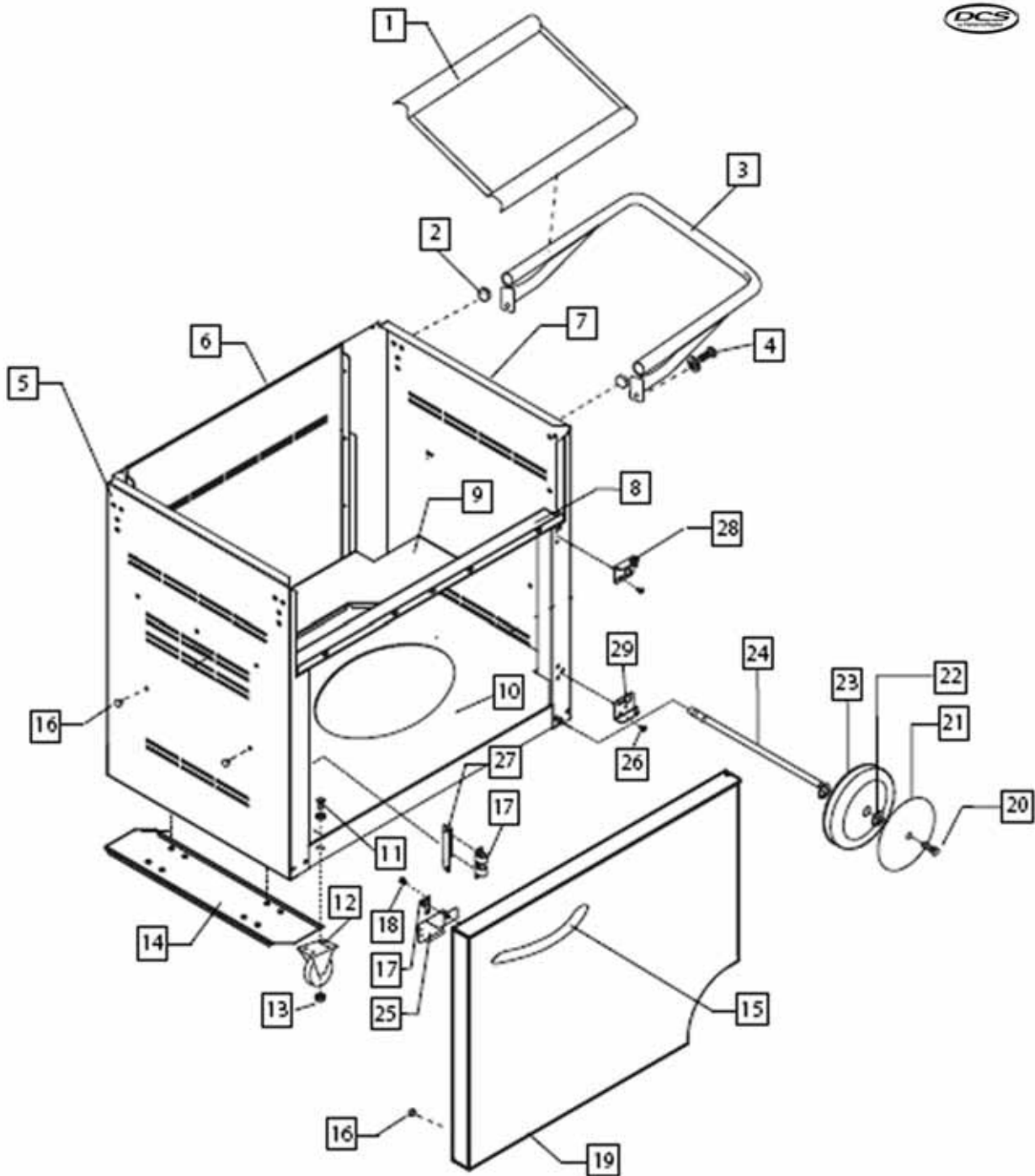
DWG000610 5 JULY 2006

## ROTISSERIE COMPONENTS

REF	PART	DESCRIPTION
1	212418	MEAT HOLDER ASSY 99
2	212934	ROTISSERIE ROD BGB30
3	212163	HANDLE - ROTIS ROD
4	211254	SMS 10-32x 5/16 PAN PHIL TY F
5	214415	I/R PROTECTION PLTE BGB30 PORC
6	210357	I/R BURNER-27/48BBQ
7	214413	WRAPPER I/R BURNER BGB30
8	212139P	ELBOW 3/8-27-9/16-24 (PKD)
9	211873	ELECTRODE I/R BURNER BGB30
10	213784	ELECTRODE HOUSING W/A L/H
11	210721	THERMOCOUPLE 2C ROBERTSHAW 72
12	211389	ACORN NUT 10-24 SS LOCKING
13	217567	SERVICE KIT WO ROLLER ASSY
14	218132	MS 10-24X1/2PH TR TY23 SS (10 PK)
15	211390	ACORN NUT LOCKING 1/4-20 SS
16	211332	1/4-20x1.00 HEX HD BOLT SS
17	211686	BULB-GE-50 PAR20
18	224942	MOTOR ASSY R/H, BGA & BGB
19	211046	ROTISS BLOCK
20	211051	ROTISS MOUNTING ARM
22	214397	BRACKET ROTISS SUPPORT R/H
23	214398	BRACKET ROTISS SUPPORT L/H
24	221946	TUBING 5/16 ID SS FLEX
25	211001	BUTTON SAFETY VALVE
26	211050	BEZEL SAFETY VALVE
27	212199	SAFETY VALVE
28	221930	TUBE 25 ID SS FLEXIBLE 7 IN
29	220574	GAS VALVE BBQ
30	210935	BEZEL, CHROME PLATED
31	240431	KNOB OUTDOOR SATIN
32	221935	FITT ELB 1/8NPT (F)X 1/4 FLARE

**NOTE:** FASTENER FOR ROTIS BLOCK USE PART # 220802 HEX BOLT AND # 237190 FLANGE BUSHING.

# CART COMPONENTS



**CART COMPONENTS**

<b>REF</b>	<b>PART</b>	<b>DESCRIPTION</b>
1	214466	SIDE SHELF TRAY
2	211099	BLACK PLUGS
3	212287	SIDE SHELF BAR
4	211323P	HEX 1/4-20X1/2 FUL TH SS (10 PK)
5	214444	BODY SIDE PANEL W/A L/H
6	224802	BACK CART BGB30
7	214433	BODY SIDE PANEL R/H BGB30 CART
8	224806	DOOR HEADER BGB30
9	224807	RETAINER TANK BGB30
10	224844	FRAME W/A CART BGB30
11	211487	1/4-20X1/2 SS CARRIAGE BOLT
12	212142	CASTER W/O BRAKE 5
	212143	CASTER W. BRAKE 5
13	211398P	NUT HEX 1/4-20 KEPS SS (10 PK)
14	214526	CASTER STIFFENER 36/48
15	212279	SIRO HANDLE DCS (44-150)
16	212359	RUBBER BUMPER
17	211098	DRAWER CATCH (M22 2430)
18	211307	MS 8-32X3/8 FL C'SUNK PH SS
19	224843	DOOR ASSY CART BGB30
20	211314	MS 1/4-20X3/4 SS OVAL PHIL
21	214477	HUB CAP SPINNING FG
22	211467	RETAINING RING E-STYLE 1/2 DIA
23	212303	WHEEL 8 SOLID
24	214422	AXLE ROD
25	214431	BRACKET MOUNTING DOOR CATCHER
26	211295	MS 8-32X1/2 PH TR HD SS
27	214356	CATCHER DOOR BRACKET BGA36
28	225079	HINGE TOP W/A R/H BGA BGB30-CS
29	214577	HINGE BOTTOM W/A R/H BGB 30-CS