

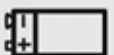


THE PROFESSIONAL 48" BGB GRILL

Parts List



MODEL:
BGB48-BQARN
PRODUCT CODE:
70008-A



PRODUCT

Brand DCS
Voltage 110V 60HZ
Model BGB48-BQARN
Product Code 70008-A

Fisher & Paykel Appliances
5900 Skylab Road, Huntington Beach,
CA 92647
Customer Care: (888) 281-5698
Fax: (714) 372-7003
www.dcsappliances.com
support@dcsappliances.com

CONTENTS

GRILL BURNER COMPONENTS	6
GRILL BODY COMPONENTS	8
ROTISSERIE COMPONENTS.....	10
SMOKER BURNER COMPONENTS.....	12
CART COMPONENTS.....	14

GUIDE TO USING THIS MANUAL

The model covered by this manual is listed on the front cover.

The information detailed in this manual is subject to change without notice. The latest version is indicated by the reprint date and replaces any earlier editions.

The front cover picture shows the type of product and may not necessarily be an exact image of the model covered by the manual.

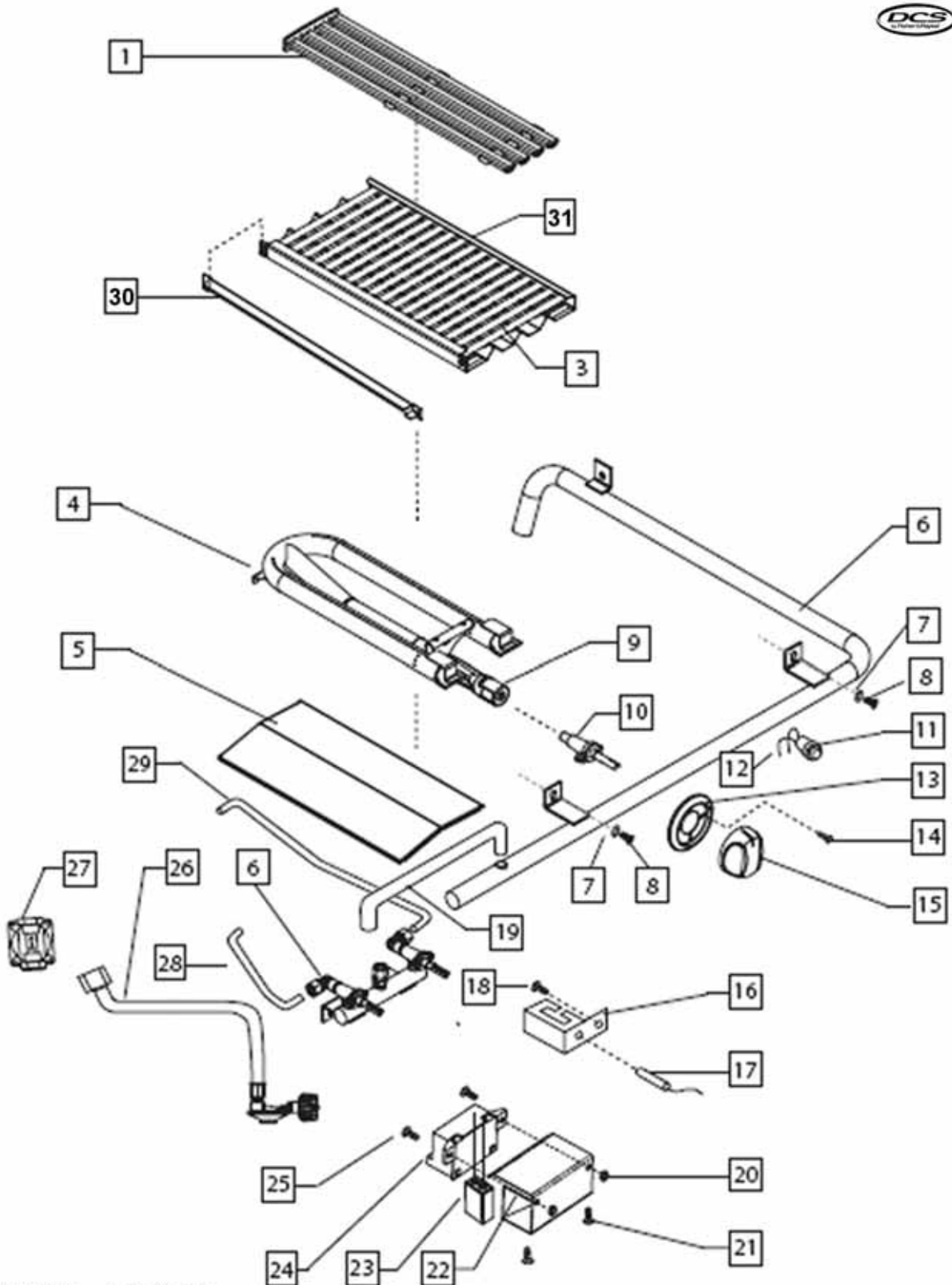
Kit Parts

Kit components are shown in *italics*. Where a part number is shown against the descriptions for these kit components, they are also available as separate items. In addition, some parts may be supplied with these kits that are not available as separate items, and are therefore either not listed, or a part number is not shown against the part description in this manual.

Parts List Key

<i>italics</i>	Kit components or parts included are shown in <i>italics</i> . Refer to above notes: Kit Parts.
NI	As a part reference, indicates the part is not illustrated on the diagram.
NOT USED	As a part number, indicates the diagram part reference is not used in this manual.

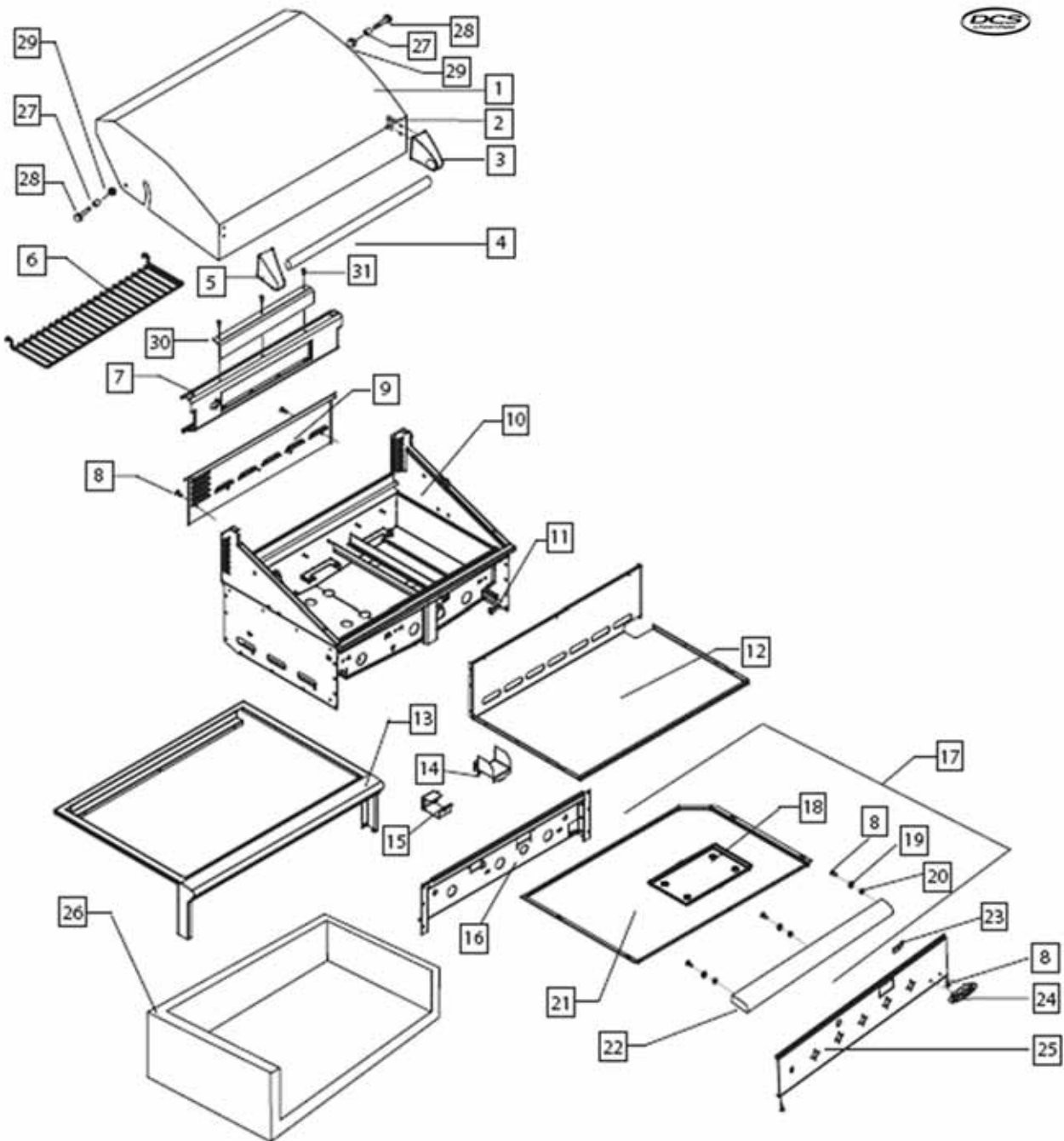
GRILL BURNER COMPONENTS



GRILL BURNER COMPONENTS

REF	PART	DESCRIPTION
1	212341	GRATE BGA GRILLS
3	214006P	CERAMIC ROD 9.50
4	212362	TUBE BURNER BBQ 27/36/48 BGA
5	214569	HEAT SHIELD FIRE BOX
6	224887	MANIFOLD ASSY BGB48 BQAR
7	211368P	WASHER FLT SS .250X.750 (10 PK)
8	211328	HEX BLT 1/4-20X3/4 FULL TH SS
9	243880	AIR SHUTTER, SCREW TUBE BURNER
10	210733	GAS ON/OFF VALVE O.D. B.B.Q
11	212336	SWITCH IGNITER SNAP-ON
12	211825	WIRES BK W/TERMINALS 40 INCH
13	210935	BEZEL CHROME PLATED
14	211248	SMS 6-32X3/8 PH PN TY F SS
15	240431	KNOB OUTDOOR SATIN
16	214293	COLLECTOR BOX BG
17	211717	ELECTRODE BURNER 14.5 LONG
	211719	ELECTRODE 35.0 LONG
	211720	ELECTRODE 45.0 LONG
	211721	BURNER ELECTRODE 20 LONG
18	211242P	MS 10-24X1/2 PHPN TY F SS (10 PK)
19	224669	TUBING MANIFOLDS CONNECTOR
20	211480	NUT 8-32 KEPS SS
21	211236	SM 10X3/8 PH TR HD TY AB NI
22	214417	ENCLOSURE IGNITER MOD ELT BGA
23	212337	BATTERY ALKALINE 9V
24	212334	BATTERY IGN MODULE 9V ELTEC 6
25	211295	MS 8-32X1/2 PH TR HD SS
26	210819P	90 DEG/HOSE ASSY QCC-1 PKD
27	210765P	REGULATOR - 4.0 WC PKD
28	221956	TUBING BACK BURNER BGB131/132
29	212399	TUBING FRONT BURNER BGB131/132
30	214046	END CAP RADIANT BGA
31	213997	RADIANT BGA

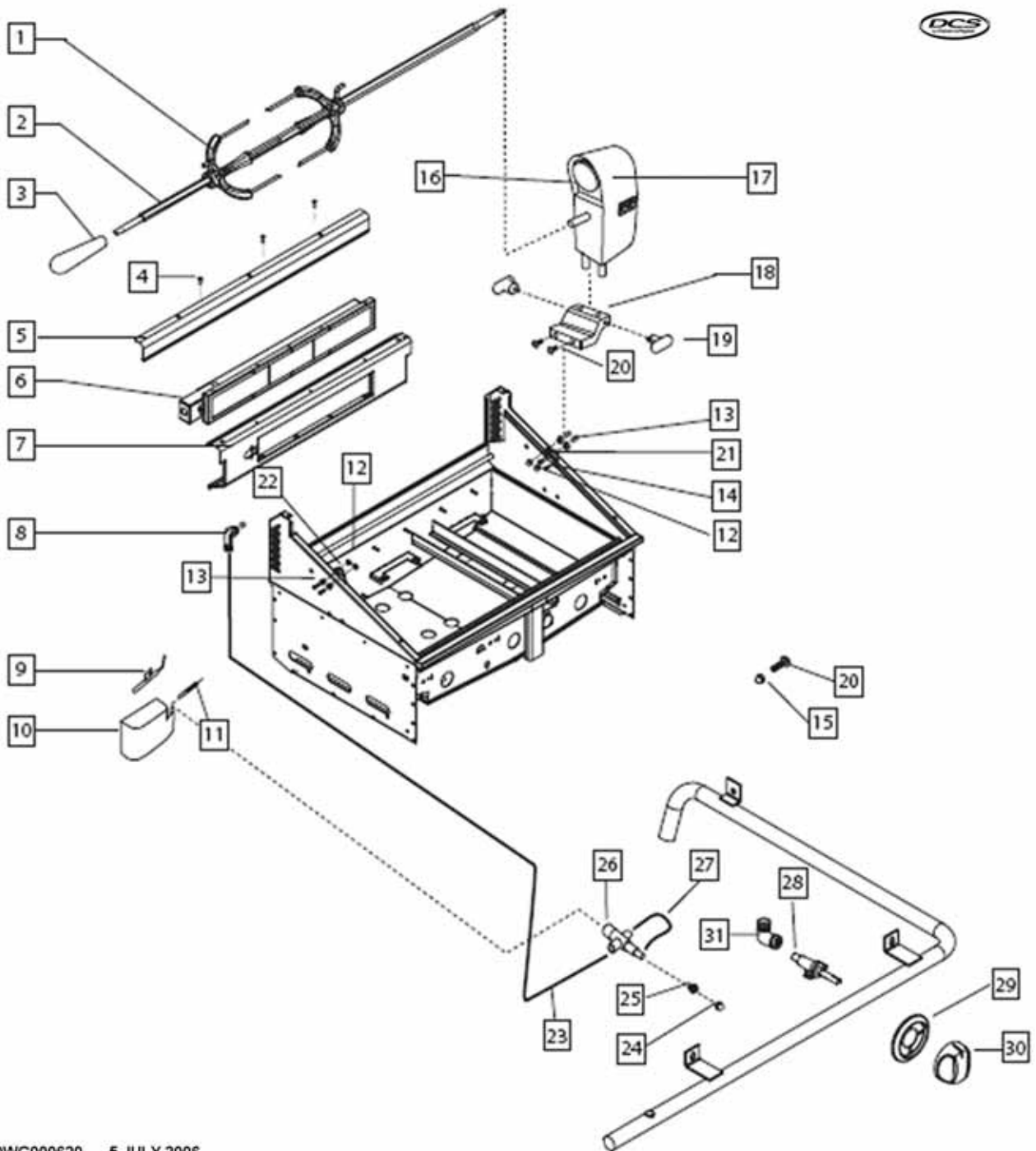
GRILL BODY COMPONENTS



GRILL BODY COMPONENTS

REF	PART	DESCRIPTION
1	214440	LID W/A BGB48 BQAR
2	211323P	HEX 1/4-20X1/2 FUL TH SS (10 PK)
3	212342	END CAP LID HANDLE R/H
4	215068	TUBE 46 HIGH SHELF
5	212343	END CAP LID HANDLE L/H
6	214031	WARMING RACK ST/STL 4 BURNERS
7	224891	WRAPPER I/R BURNER BGB48 BQAR
8	211242P	MS 10-24X1/2 PHPN TY F SS (10 PK)
9	224892	SERVICE PANEL BGB48 BQAR
10	224884	FIRE BOX W/A BGB48 BQAR
11	211090	RACK ROLLER VERTICAL
12	224886	BOTTOM BURNER BOX BGB48
13	224788	LANDING LEDGE W/A BGB48 BQAR
14	214572	SHIELD SMOKER VALVE
15	224664	SAFETY VALVE BOX BGA
16	224790	FRONT BAFFLE BGB48 BQAR
17	224889	DRIP PAN ASSY BGB48 BQAR
18	214289	GREASE CAN
19	218150	NUT HEX 10-24 KEPS SS (10 PK)
20	211352P	NUT HEX 10-24 SS (10 PK)
21	224890	DRIP PAN BGB48 BQAR
22	214439	DRIP PAN HANDLE BGB48 BQAR
23	211419P	LOGO - CLIP (2 PACK)
24	211997	LOGO, DCS, 3 1/8
25	214438	VALVE PANEL BGB48 BQAR
26	70172	JACKET STAINLESS STL BGA48
27	223810	SPACER LID 36/48 BQ
28	211441	BLT SHLDR .375X1.25X5/16-1
29	211387	ACORN NUT 5/16-18 DEFLECTED
30	225050	I/R PROTECTION PLATE PORC 48
31	218132	MS 10-24X1/2 PH TR TY23 SS (10 PK)

ROTISSERIE COMPONENTS



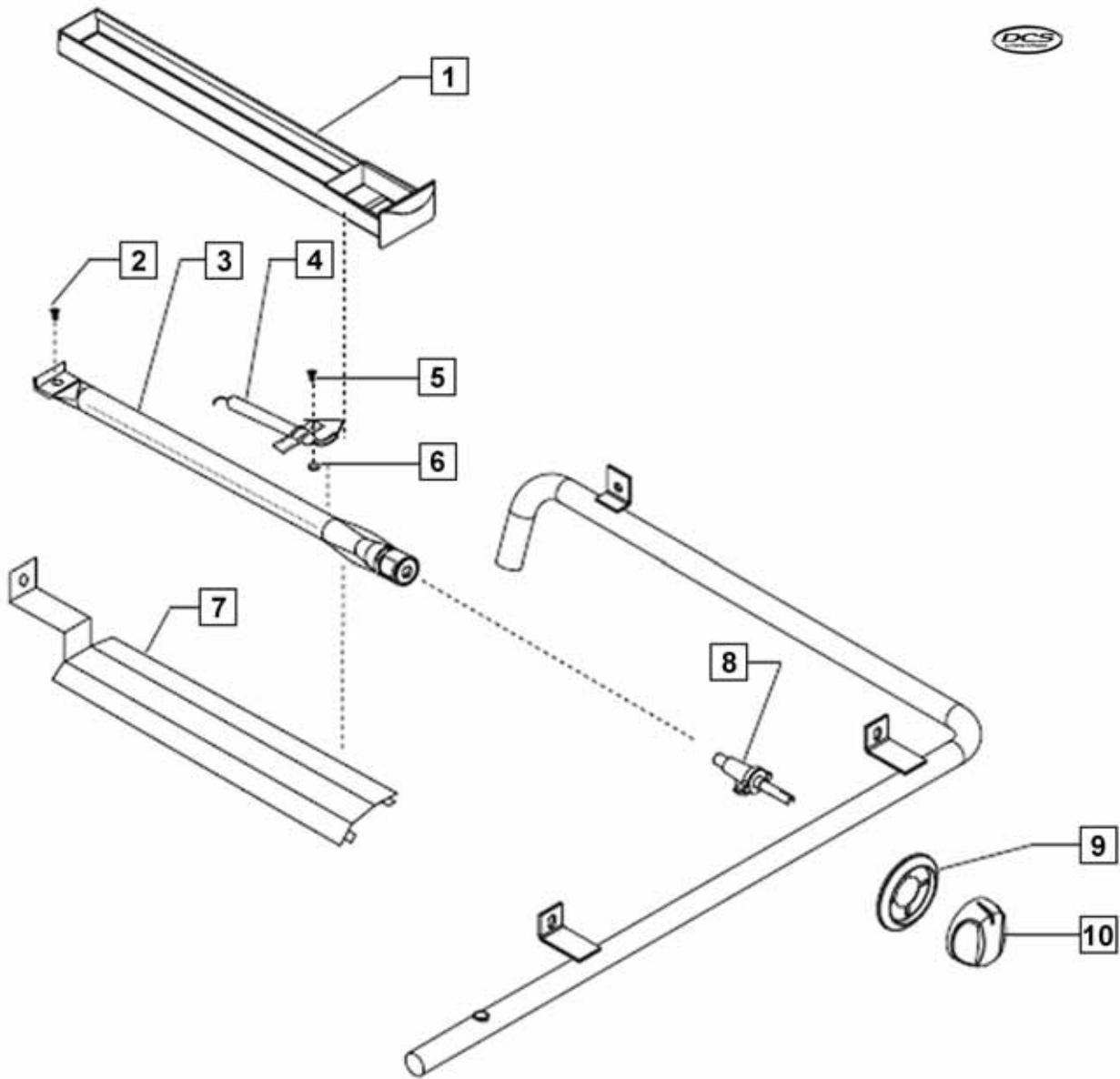
DWG000620 5 JULY 2006

ROTISSERIE COMPONENTS

REF	PART	DESCRIPTION
1	212340	FORK ROTISSERIE
2	212938	ROTISSERIE ROD BGB48 BQAR
3	212163	HANDLE - ROTIS ROD
4	218132	MS 10-24X1/2 PH TR TY23 SS (10 PK)
5	225050	I/R PROTECTION PLATE PORC 48
6	210620	I/R BURNER BGA48 BQAR
7	224891	WRAPPER I/R BURNER BGB48 BQAR
8	212139P	ELBOW 3/8-27-9/16-24 (PKD)
9	211832	ELECTRODE I/R BURNER
10	213781	ELECTRODE HOUSING L/H
	223637	ELECTRODE HOUSING R/H
11	210721	THERMOCOUPLE 2C ROBERTSHAW 72
12	211389	ACORN NUT 10-24 SS LOCKING
13	217567	SERVICE KIT WO ROLLER ASSY
14	211242P	MS 10-24X1/2 PH PN TY F SS (10 PK)
15	211390	ACORN NUT LOCKING 1/4-20 SS
16	211686	BULB-GE-50 PAR20
17	214373	MOTOR ASSY R/H
	224644	MOTOR ASSY L/H
18	211046	ROTISS BLOCK
19	211051	ROTISS MOUNTING ARM
20	211332	1/4-20x1.00 HEX HD BOLT SS
21	214397	BRACKET ROTISS SUPPORT R/H
22	214398	BRACKET ROTISS SUPPORT L/H
23	224667	TUBING SAFETY VALVE TO I/R R/H
24	211001	BUTTON SAFETY VALVE
25	211050	BEZEL SAFETY VALVE
26	212199	SAFETY VALVE
27	213623	TUBING MAN.TO SAFETY VALVE L/H
28	210733	GAS ON/OFF VALVE O.D. B.B.Q
29	210935	BEZEL, CHROME PLATED
30	240431	KNOB OUTDOOR SATIN
31	212149	ELBOW 3/8 T.O.D. - 3/8 (F)

NOTE: FASTENER FOR ROTIS BLOCK USE PART # 220802 HEX BOLT AND # 237190 FLANGE BUSHING.

SMOKER BURNER COMPONENTS

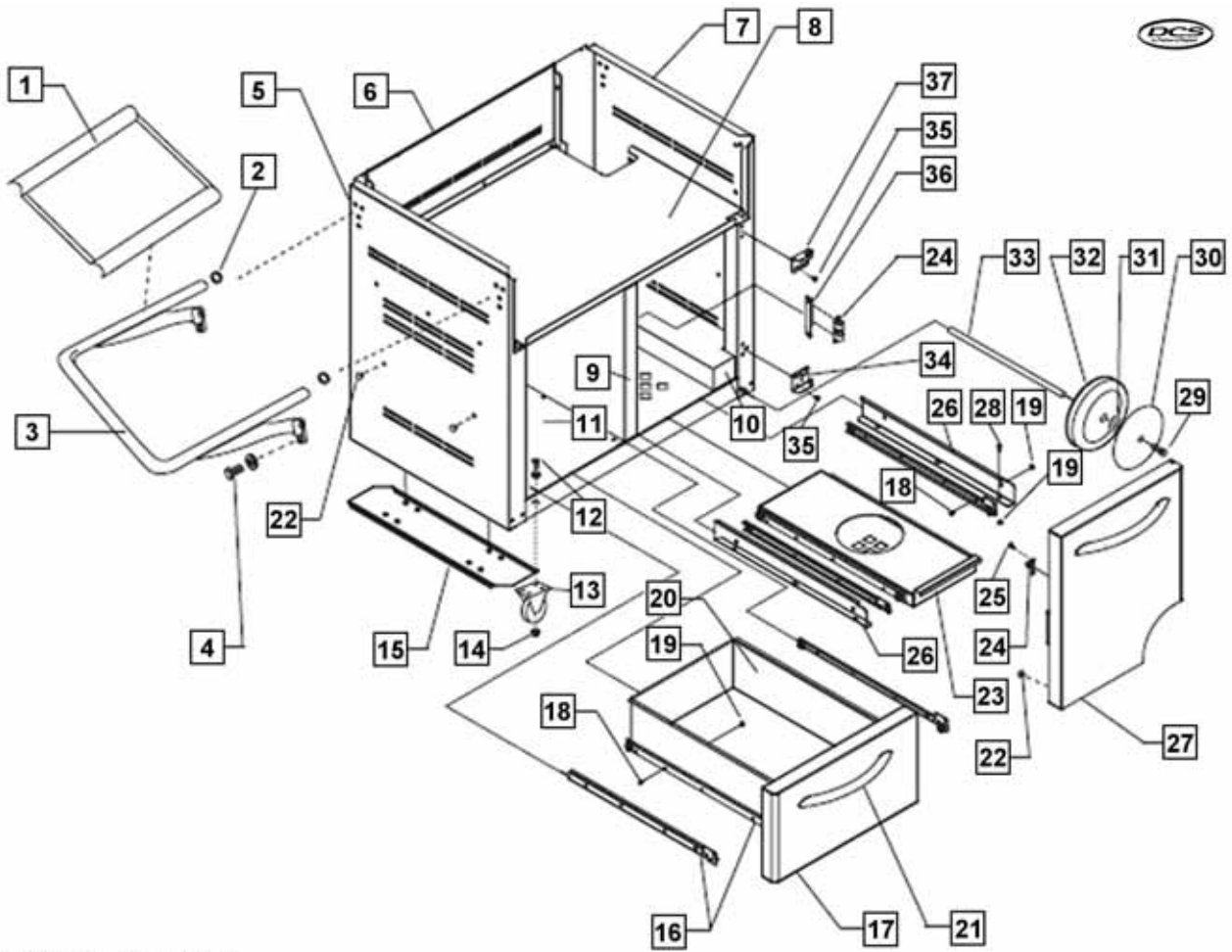


DWG000611 5 JULY 2006

SMOKER BURNER COMPONENTS

REF	PART	DESCRIPTION
1	214331	CHIP TRAY W/A
2	211242P	MS 10-24X1/2 PH PN TY F SS (10 PK)
3	213467	ASSY. WELDMENT, SMKR BRNK.
4	211834	ELECTRODE SMOKER
5	211301	MS 4-40X1/4 PH RD HD SS
6	211358	NUT HEX 4-40 SS
7	214010	HEAT SHIELD SMOKER SUPPORT
8	210734	GAS VALVE 24 & SMOKER
9	210935	BEZEL, CHROME PLATED
10	240431	KNOB OUTDOOR SATIN

CART COMPONENTS



DWG000612 6 JULY 2006

CART COMPONENTS

REF	PART	DESCRIPTION
1	214466	SIDE SHELF TRAY
2	211099	BLACK PLUGS
3	212287	SIDE SHELF BAR
4	211323P	HEX 1/4-20X1/2 FUL TH SS (10 PK)
5	214292	BODY SIDE PANEL L/H
6	224385	BACK CART BGA48
7	224393	BODY SIDE PANEL R/H
8	224392	DOOR HEADER BGA48
9	224380	DIVIDER CART BGA48
10	214464	SLIDE BRACKET 2
11	224616	FRAME W/A CART BGA48
12	211487	1/4-20X1/2 SS CARRIAGE BOLT
13	212142	CASTER W/O BRAKE 5
	212143	CASTER W. BRAKE 5
14	211398P	NUT HEX 1/4-20 KEPS SS (10 PK)
15	214526	CASTER STIFFENER 36/48
16	211097	MOUNT SLIDE SET
17	214364	FRONT DRAWER SKIN W/A BGA48
18	211307	MS 8-32X3/8 FL C'SUNK PH SS
19	218150	NUT HEX 10-24 KEPS SS (10 PK)
20	214361	DRAWER BOX W/A BGA48 CART
21	212375	HANDLE CART BGA36/48
22	212359	RUBBER BUMPER
23	214357	TANK TRAY ASSY CART BGA36/48
24	211098	DRAWER CATCH (M22 2430)
25	211300P	SCREW 8-32X1 TORX FL HD (10 PK)
26	214290	SLIDE MOUNTING FRAME BGA R/H
	214291	SLIDE MOUNTING FRAME BGA L/H
27	214359	DOOR ASSY CART BGA48
28	211290P	MS 10-24X1/2 PH TR HD SS (10 PK)
29	211314	MS 1/4-20X3/4 SS OVAL PHIL
30	214477	HUB CAP SPINING
31	211467	RETAINING RING E-STYLE 1/2 DIA
32	212303	WHEEL 8 SOLID
33	214422	AXLE ROD
34	214563	HINGE BOTTOM W/A R/H BGA CART
35	211287P	MS 10-24X3/4 PH TR HD SS (10 PK)
36	214356	CATCHER DOOR BRACKET BGA36
37	214576	HINGE TOP W/A R/H BGA48